

*Air Cleaner*  
**Camaro**  
Retail  
Catalog

**Retail  
Edition**



D / Classic  
& / Automotive  
R

The nation's largest complete source for Camaro parts.

# Air Cleaner Contents

2018©

*Section update 3-22-2018*

|                                     |      |
|-------------------------------------|------|
| Air Cleaner .....                   | 3    |
| Air Cleaner Cowl Induction Kit..... | 3    |
| Air Cleaner Element .....           | 3    |
| Air Cleaner Lid.....                | 4    |
| K & N Filtercharger .....           | 4    |
| Air Cleaner Hardware.....           | 4    |
| Air Heat Tube.....                  | 5    |
| Cowl Induction Changeover .....     | 5    |
| Functional Cowl Induction Kit ..... | 5    |
| Cowl Induction Hardware.....        | 6, 7 |
| Crossram .....                      | 7, 8 |
| Air Cleaner Spacer Rings.....       | 7    |
| COWL INDUCTION LAYOUT .....         | 9    |
| Hats and T-Shirts .....             | 10   |



**AIR CLEANER**



- Cowl Induction Air Cleaner... '67-'69
  - Base, breather hose fitting and snorkel
  - Element
  - Black Lid



- Cowl Induction Air Cleaner... '67-'69
  - Flat base for Cowl Induction
  - Base, breather hose fitting and snorkel
  - Element
  - Black Lid



- Z-28 Air Cleaner... '70
  - Base
  - Element
  - Chrome Lid



- Black Lid
- Air Cleaner Dual Snorkel BB... '70-'72

**AIR CLEANER COWL INDUCTION KIT**



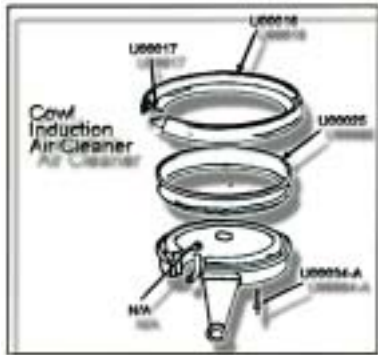
- Open Element Air Cleaner 67-73  
*Fits both Holley and Q-Jet four barrel carburetors. Used on many high performance applications through the Chevrolet line.*



- Air Cleaner Kit, "350"... '69
- Air Cleaner Kit, "350"... '67-'68
  - Cowl induction air cleaner
  - Extension spacer ring
  - Flange
  - Flange seal



- Air Cleaner Kit, "396/427"... '69
  - Cowl induction air cleaner
  - Flange
  - Flange seal
  - No spacer ring required



**AIR CLEANER ELEMENT**



- Air Cleaner Element, Square Mesh  
*Reproduction of the original 212CW air cleaner element. Has the original square mesh design.*



- Air Cleaner Element  
*Replacement air cleaner element fits open element or cowl induction air cleaners.*

**AIR CLEANER COWL INDUCTION KIT**



- Air Cleaner Kit, "302"... '69
- Air Cleaner Kit, "302"... '67-'68
  - Cowl induction air cleaner
  - Extension spacer ring
  - Flange
  - Flange seal

Most Orders Shipped Within 24 Hours!



**AIR CLEANER LID**



• **Lid, Air Cleaner, 14 1/4" Black**  
 Air cleaner lid in Black finish. Fits open element or cowl induction air cleaners.  
 U00012 ..... \$25.00 Each



• **Lid, Air Cleaner, 14-1/4" Chrome, repro**  
 Reproduction Chrome air cleaner lid is a beautiful reproduction of the original. Works with cowl induction or open element designs.  
 U00007 ..... \$38.00 Each



• **Lid, Air Cleaner "350" Chrome... '67**  
 U00011-67 ..... \$69.00 Each

• **Lid, Air Cleaner, "Z-28" ... '67**  
 U00011-L ..... \$69.00 Each



• **Lid, Air Cleaner "350" Chrome, Z-28... '70-72**  
 Air Cleaner Lid available separately.  
 U00007-2 ..... \$69.00 Each

**K & N FILTERCHARGER**

*K & N Filtercharger performance air cleaner element has maximum filtration and maximum air flow. The K & N Filtercharger air filter is unique in all the world. K & N uses premium quality oiled cotton gauze sandwiched between layers of wire screen. This special design permits very high flow rates, minimum restriction, maximum filtration, and very long filter life. When dirty, simply wash, re-oil, and reinstall.*



• **Air Cleaner Element... '67-'69**  
 UKN ..... \$44.95 Each

• **Air Cleaner Element... '70-'81**  
 UKN ..... \$44.95 Each



• **K & N Filter Recharge Kit**  
 UNK-R ..... \$19.95 Each

**See Decal Section for correct Air Cleaner Lid Decals**

**AIR CLEANER HARDWARE**



• **Air Cleaner Stud, Holley, or X-Ram, 1-1/2"**  
 Reproduction air cleaner stud for Holley carburetor.  
 U00034 ..... \$7.50 Each



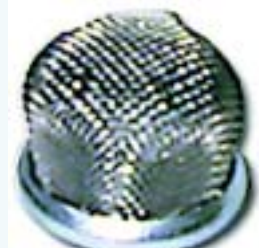
• **Air Cleaner Stud Holley, 2"**  
 U00034-L ..... \$7.50 Each



• **Air Cleaner Wing Nut, Chrome**  
 Correct Chrome wing nut for air cleaner lid to stud. OE style.  
 T00070 ..... \$3.95 Each



• **Air Cleaner Wing Nut, Black**  
 T00070-B ..... \$3.95 Each



• **Flame Arrestor Screen... '67-'72**  
 Air cleaner flame arrestor screen.  
 U00033 ..... \$8.39 Each



**COWL INDUCTION CHANGEOVER**



- Cowl Induction Changeover, "302"  
• "327" with Aluminum Intake  
*Complete changeover to cowl induction.*

|   |  |
|---|--|
| <input checked="" type="checkbox"/> Air cleaner base              | <input checked="" type="checkbox"/> Lid            |
| <input checked="" type="checkbox"/> Element                       | <input checked="" type="checkbox"/> Extension ring |
| <input checked="" type="checkbox"/> Flange                        | <input checked="" type="checkbox"/> Flange Seal    |
| <input checked="" type="checkbox"/> Functional parts for the hood |  |

**U00035 ..... \$349.00 Set**

- Cowl Induction Changeover, "350"  
• "327" with Cast Iron Intake  
*Complete changeover to cowl induction.*

|   |  |
|---|--|
| <input checked="" type="checkbox"/> Air cleaner base              | <input checked="" type="checkbox"/> Lid            |
| <input checked="" type="checkbox"/> Element                       | <input checked="" type="checkbox"/> Extension ring |
| <input checked="" type="checkbox"/> Flange                        | <input checked="" type="checkbox"/> Flange Seal    |
| <input checked="" type="checkbox"/> Functional parts for the hood |  |

**U00036 ..... \$349.00 Set**

- Cowl Induction Changeover, "396/427"  
*Complete changeover to cowl induction.*

|   |  |
|---|--|
| <input checked="" type="checkbox"/> Air cleaner base              | <input checked="" type="checkbox"/> Lid            |
| <input checked="" type="checkbox"/> Element                       | <input checked="" type="checkbox"/> Extension ring |
| <input checked="" type="checkbox"/> Flange                        | <input checked="" type="checkbox"/> Flange Seal    |
| <input checked="" type="checkbox"/> Functional parts for the hood |  |

**U00037 ..... \$329.00 Set**

**FUNCTIONAL COWL INDUCTION KIT**



- **Functional Cowl Induction Kit**  
*Functional cowl induction kit contains the necessary parts to install cowl induction into cowl hood.*

|   |  |
|---|--|
| <input checked="" type="checkbox"/> Relay           | <input checked="" type="checkbox"/> Solenoid       |
| <input checked="" type="checkbox"/> Switch          | <input checked="" type="checkbox"/> Valve          |
| <input checked="" type="checkbox"/> Valve retainers | <input checked="" type="checkbox"/> Valve screws   |
| <input checked="" type="checkbox"/> Valve frame     | <input checked="" type="checkbox"/> Seal           |
| <input checked="" type="checkbox"/> Throttle arm    | <input checked="" type="checkbox"/> Retaining clip |
| <input checked="" type="checkbox"/> Hood grommet    | <input checked="" type="checkbox"/> Wiring         |
| <input checked="" type="checkbox"/> Instructions    |  |

**U00019 ..... \$170.00 Set**

**AIR HEAT TUBE**



- **Air Heat Tube, Lower Stove, SB...'69-'76**  
*Air heat tube lower stove. Installs with upper stove on small block exhaust manifold. Use with Z00122.*

**Z00121 ..... \$8.99 Each**




- **Air Heat Tube, Upper Stove, SB...'69-'76**  
*Air heat tube upper stove installs with lower stove on small block exhaust manifold. Use with Z00121.*

**Z00122 ..... \$29.99 Each**




- **Air Heat Tube, Upper Stove, SB...'78-'81**  
**Z00121-A ..... \$39.95 Each**

**NON-FUNCTIONAL COWL INDUCT SCREEN**



- **Cowl Induction Hood Screen...'67-'69**  
*Screen is used with cowl induction hood that does not have a functional cowl induction setup.*

**U00028-S ..... \$24.95 Each**

Most Orders Shipped Within 24 Hours!



**COWL INDUCTION HARDWARE**



• **Cowl Induction Hood Grommet**  
 Reproduction grommet fits into hood around wiring to solenoid on cowl induction hood.  
**U00014 ..... \$9.50 Each**



• **Cowl Induction Wiring**  
 Reproduction wiring harness replaces original exactly.  
**U00015 ..... \$34.95 Each**



• **Cowl Induction Flange Seal**  
 Reproduction flange seal installs on flange and fits on air cleaner to seal with cowl induction hood. Correct spacer ring must be used under flange to insure a complete seal to the hood.  
**U00016 ..... \$24.95 Each**



• **Cowl Induction Flange Unit - Air Cleaner**  
 Reproduction flange attaches to top of cowl induction air cleaner. Use with seal U00016. Use spacer ring U00024 for 302 engine, U00025 for 350 engine, and no spacer ring for 396 engine.  
**U00017 ..... \$26.45 Each**

**COWL INDUCTION HARDWARE**



• **Cowl Induction Hood Relay**  
 Original Delco style relay for cowl induction hood.  
**U00020 ..... \$27.95 Each**



• **Cowl Induction Solenoid**  
 Reproduction solenoid to activate valve in cowl induction hood. Installs in valve frame in hood.  
**U00022 ..... \$49.95 Each**



• **Cowl Induction Solenoid Switch**  
 Solenoid switch attaches to throttle arm to activate valve in cowl induction.  
**U00023 ..... \$18.50 Each**



• **Cowl Induction Throttle Arm**  
 Reproduction throttle arm will accept switch for cowl induction.  
**U00026 ..... \$19.95 Each**



• **Throttle Arm Switch Retaining Clip**  
 Reproduction retaining clip to install switch to throttle arm.  
**U00027 ..... \$3.49 Each**

**COWL INDUCTION HARDWARE**



• **Valve Frame Screws (set of 6)**  
 Frame screws are used to attach valve frame to hood. One set of six required per car.  
**U00018 ..... \$2.00 Set**



• **Cowl Induction Valve Frame Retainer**  
 Retainers to install valve to valve frame on cowl induction hood. Sold in sets of three.  
**U00031 ..... \$3.95 Set**



• **Valve Cover Elbow, SB... '68-'74**  
 Original valve cover elbow installs in RH valve cover. This elbow is included in changeover kit. Use with hose M20138.  
**M00132 ..... \$8.95 Each**



• **Valve Cover Hose, SB... '68-'74**  
 Hose connects small block air cleaner base to valve cover elbow. This hose is included in changeover kit. Use with elbow M00132.  
**M20138 ..... \$9.95 Each**



• **Valve Cover Grommet Z-28... '69-'74**  
 Correct valve cover grommet for use with aluminum valve covers. This grommet is included in changeover kit. Two required per car.  
**M00135 ..... \$2.95 Each**



COWL INDUCTION HARDWARE



• **Cowl Induction Valve**  
 Flapper valve installs into frame on cowl induction hood. Use with retainers U00031.  
 U00028 ..... \$14.95 Each



• **Cowl Induction Valve Frame**  
 Valve frame accepts flapper valve in cowl induction hood.  
 U00029 ..... \$34.38 Each



• **Cowl Induction Valve Frame Seal**  
 Foam seal installs behind valve frame on cowl induction hood.  
 U00030 ..... \$2.20 Each

AIR CLEANER SPACER RINGS

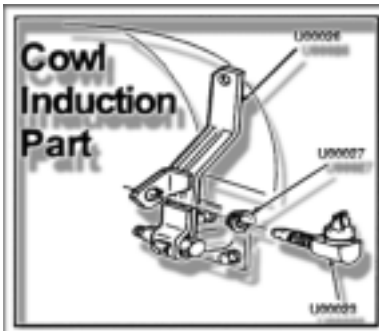


• **Air Cleaner Spacer Ring, "302" Z-28, 1-1/4"**  
 Spacer ring or extension ring that attaches to cowl induction air cleaner base to raise flange to seal against hood. 1-1/4" Tall.  
 U00024 ..... \$29.00 Each

AIR CLEANER SPACER RINGS



• **Spacer Ring "350" or Pace Car, 2-1/4" Tall**  
 Air cleaner spacer ring or extension ring that attaches to cowl induction air cleaner base to raise flange to seal against hood.  
 U00025 ..... \$29.00 Each



CROSSRAM



• **Air Cleaner Assembly, Crossram... '69**  
 Reproduction for crossram air cleaner setup. Wide base is designed to accept foam seal for use with cowl type hood.  
 Wide Base  
 Chrome Lid  
 Element  
 U00040 ..... \$499.00 Each

• **Air Cleaner Assembly, Crossram... '67-'68**  
 Includes narrow base, Chrome lid and element. Will fit any crossram setup with standard hood.  
 U00040-C ..... \$499.00 Set

CROSSRAM



• **Air Cleaner Element, Crossram**  
 Reproduction paper element for crossram air cleaners.  
 U00042 ..... \$35.00 Each



• **Air Filter X-Ram 2 1/2 Tall Style... '69**  
 Beautiful reproduction of a highly sought after part. Used on '69 crossram Z/28 with cowl induction hood. Another outstanding Hugger Performance item!  
 U00042-69 ..... \$149.00 Each

CROSSRAM



• **Air Cleaner Foam Seal, Crossram**  
 Reproduction foam seal for crossram air cleaner.  
 U00041 ..... \$59.95 Each



• **Alternator Bracket, Crossram**  
 Reproduction front alternator bracket for crossram cars.  
 U00049 ..... \$55.00 Each

Most Orders Shipped Within 24 Hours!



## CROSSRAM



- **Carburetor Linkage, with Heim Ends**  
Beautiful reproduction of carburetor linkage made of stainless steel for crossram cars. Use with cable U00039.

U00045 ..... \$89.00 Set

- **Fuel Line Kit, with/Y Block, SS**  
Cross-Ram, Stainless

U00046 ..... \$189.00 Set

- **Fuel Line Kit, with/Y Block, OE**  
Cross-Ram, OE

U00046-A ..... \$169.00 Set

- **Fuel Line Kit, w/out Y Block, OE**  
Cross-Ram, OE

U00046-OE ..... \$44.95 Set



- **Throttle Pedal Assembly, reproduction**  
Gas pedal assembly installs to firewall and attaches to throttle cable. Available NEW!

U00050-repro ..... \$59.95 Set



- **X-RAM Gas Pedal Arm (lever)**

U00050-ARM ..... \$49.95 Each

- **X-Ram Hood, Steel... '67-'69**

U00038-S ..... \$4995.00 Each



- **Hood, Crossram Setup**

U00038 ..... \$549.95 Each

## CROSSRAM



- **Hood Prop Rod, Crossram**  
For use with the crossram hood, without hood springs.

U00038-ROD ..... \$45.00 Each



- **Hood Light Weight Spring, Crossram**  
Light weight hood hinge spring must be used when installing a fiberglass hood. This spring will prevent warping usually caused by a heavy weight spring. Two springs necessary per car.

A00148-LTWT ..... \$17.50 Each



- **Throttle Cable Crossram**  
Reproduction throttle cable for crossram carburetors. Installs and performs as original.

U00039 ..... \$195.00 Each



- **Throttle Cable Mounting Bracket**  
Reproduction throttle cable mounting bracket for supporting cable. Use with retainer clip U00044.

U00043 ..... \$89.95 Each

- **Throttle Cable Bracket Retainer Clip**  
Cable retaining clip attaches to mounting bracket supporting throttle cable.

U00044 ..... \$12.95 Each



- **XRam throttle return spring RED**

U00055 ..... \$12.95 Each



- **Xram PCV fitting set 68 - 93 pieces**

U00056 ..... \$69.95 Set

## CROSSRAM



- **Xram carb studs oval a/c base**

U00059 ..... \$23.95 Set



- **Xram Intake Vacuum Fitting**

U00065 ..... \$37.95 Each

- **Cross Ram Kit with Throttle Cable**

UXRAM ..... \$6195.00 Kit

- **Cross Ram Cam and Lifter Kit**

UXRAM-CAM ..... \$219.95 Kit

- **Cross Ram Intake Kit, no Throttle Cable**

UXRAM-N ..... \$6000.00 Kit

- **X-Ram Fuel Line "Y" Block**

U00046-block ..... \$85.00 Each

- **X-Ram Air Cleaner Base, Narrow... '67-'68**

U00040-78B ..... \$469.00 Each

- **X-Ram Air Cleaner Base, Wide... '69**

U00040-9B ..... \$469.00 Each

- **X-Ram Air Cleaner Base and Lid... '67-'68**

U00040-B ..... \$499.00 Kit

- **X-Ram Gasket, Upper to Lower Manifold**

U00053 ..... \$54.95 Each



- **Throttle Return Spring Bracket**  
Reproduction throttle return spring bracket for crossram carburetors. Installs as original.

U00048 ..... \$19.00 Each

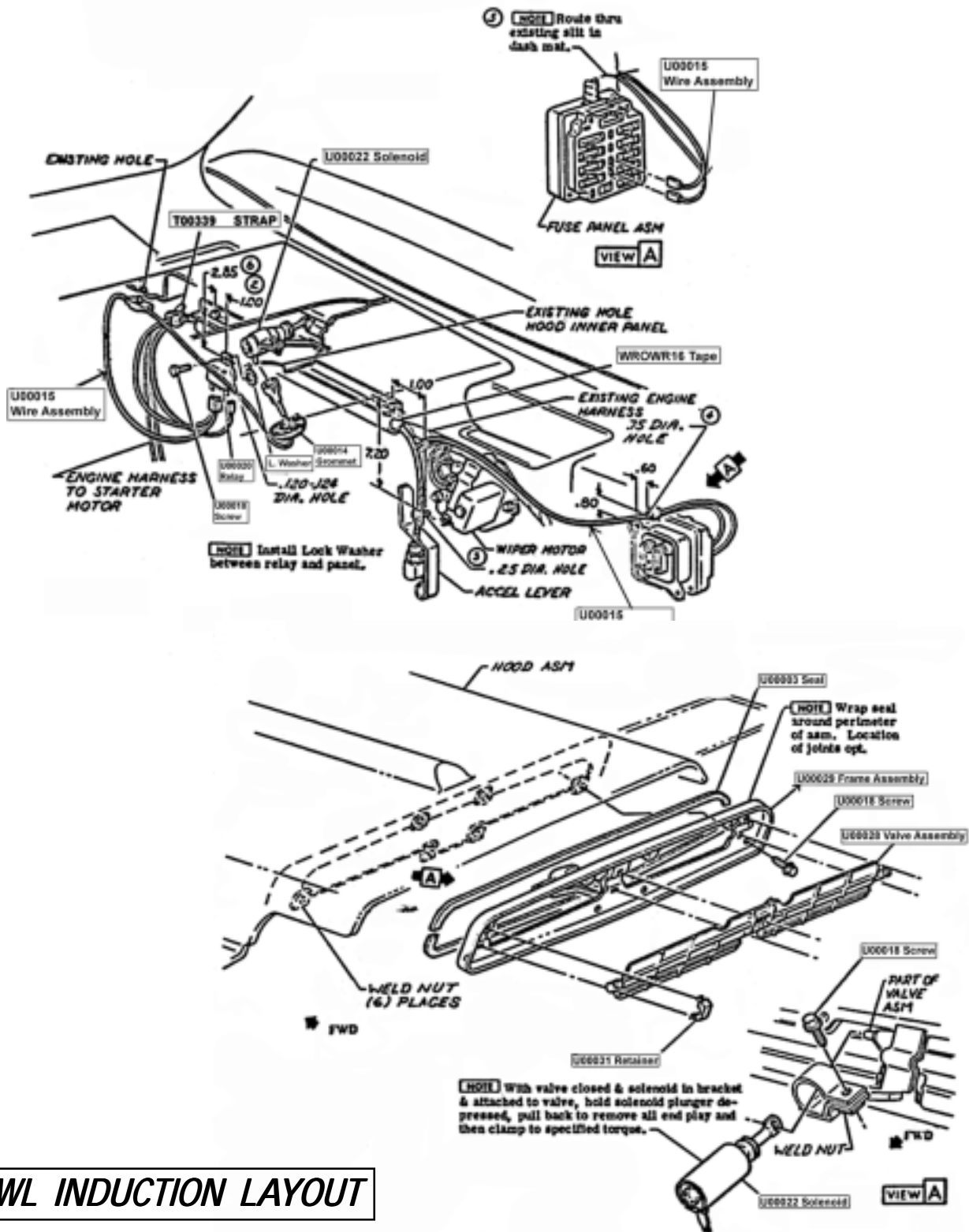


- **2 x 4 Crossram Manual**  
A limited collectors edition. This is a comprehensive guide to set up, tuning and maintenance of cross ram intake manifolds on '67-'69 Camaro, by Wayne D. Guinn.

B00382 ..... \$19.95 Each







**COWL INDUCTION LAYOUT**

Most Orders Shipped Within 24 Hours!



**T  
S  
H  
I  
R  
T  
&  
C  
A  
P  
S**



• Tee-Shirt, "American Muscle Z/28", Blue  
XGB531-L ..... \$18.95 Each  
XGB531-XL ..... \$19.95 Each



• Tee-Shirt, "Throw Back Camaro", Grey  
XGB910-L ..... \$18.95 Each  
XGB910-XL ..... \$18.95 Each



• Tee-Shirt, "Detroit Power 67 Z/28", Grey  
XGB911-L ..... \$18.95 Each  
XGB911-XL ..... \$18.95 Each

• Tee-Shirt, "Super Chevrolet"  
XHB226-ASH-L ..... 15.95 Each



• Hat, "Z/28", Black w/Red/Black  
XNB115 ..... \$14.95 Each



• Hat, "Camaro", Black w/White Stripes  
XWB907-BLK ..... \$15.95 Each



• Hat, "Camaro", Blue w/White Stripes  
XWB907-BLU ..... \$15.95 Each



• Hat, "Camaro", Green w/Black Stripes  
XWB907-GREEN ..... \$15.95 Each



• Hat, "Camaro", Red w/Black Stripes  
XWB907-RED ..... \$15.95 Each

• Hat, "Camaro", White w/Orange Stripes  
XWB907-WHT ..... \$15.95 Each



• Hat, "Camaro", Yellow w/Black Stripes  
XWB907-YEL ..... \$15.95 Each

• Hat, "SS", Black on Black  
XWB931 ..... \$17.95 Each

**World Wide Web Orders:**  
[www.drclassic.com](http://www.drclassic.com)



**Tech Line/Order Line..... 800-472-6952**  
**Fax Line 24 HR ..... 800-390-0070**